

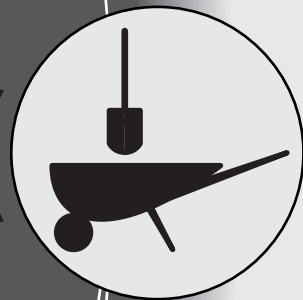
ESPACE

SWING GATE

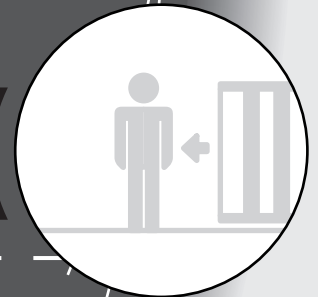


Installation

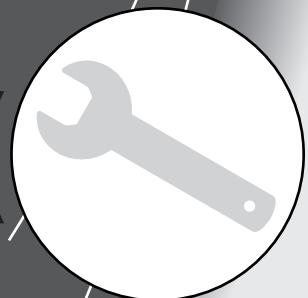
INSTRUCTIONS



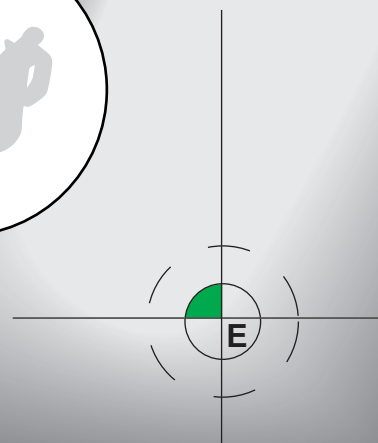
Use



Maintenance



Care



ESPACE Swing gate EN 01 - 05 2005 Edition INSTALLATION

INTRODUCTION

All the information contained in this specification sheet including pictures and figures is the property of DIRICKX. Total or partial reproduction without permission of DIRICKX is illicit.

DIRICKX might modify components of the material at anytime and without prior notice. The content of the sheets can also be subject to modifications.

All the sheets, including this one, are adapted exclusively to the material they are delivered with.

REGULATION

This manual was edited in respect with the recommendation of the European Standard **NF EN 12635** concerning the gates that equip the industrials and business buildings and garages in accordance with European standard **EN 292-2** that specifies that is essential to provide the installer and the user with the complete documentation attached to the material.

COMPLETE AND SAFE FUNCTIONING IS ENSURED ONLY IF A SKILLED INSTALLER EXECUTES THE INSTALLATION AND MAINTENANCE IN RESPECT WITH THE INSTRUCTIONS AND THE VALID REGULATIONS.

PICTOGRAMS AND SIGNIFICANCES

This specification sheet contains pictograms warning the installer and the user about the points to be considered to ensure the correct installation, use, service and maintenance operations.

It is important to follow the information accompanying the pictograms to ensure the installer and user's security but also the good functioning of the material.



DANGER PANEL FOLLOWED BY THIS FRAME INDICATES VERY IMPORTANT INFORMATION TO TAKE INTO CONSIDERATION.



Timing to respect during the installation procedure.



Refer to the concerned documentation.



Risk of injury, heavy material.



Employment of security equipment (gloves, helmet, goggles...).



Use of lifting machine recommended.



Packing and storage.



*Required skills:
Qualified person according to the standard EN 12635.*



*Required skills:
Professional installer according to the standard EN 12635.*



WARNING



Standard NF EN 13241-1

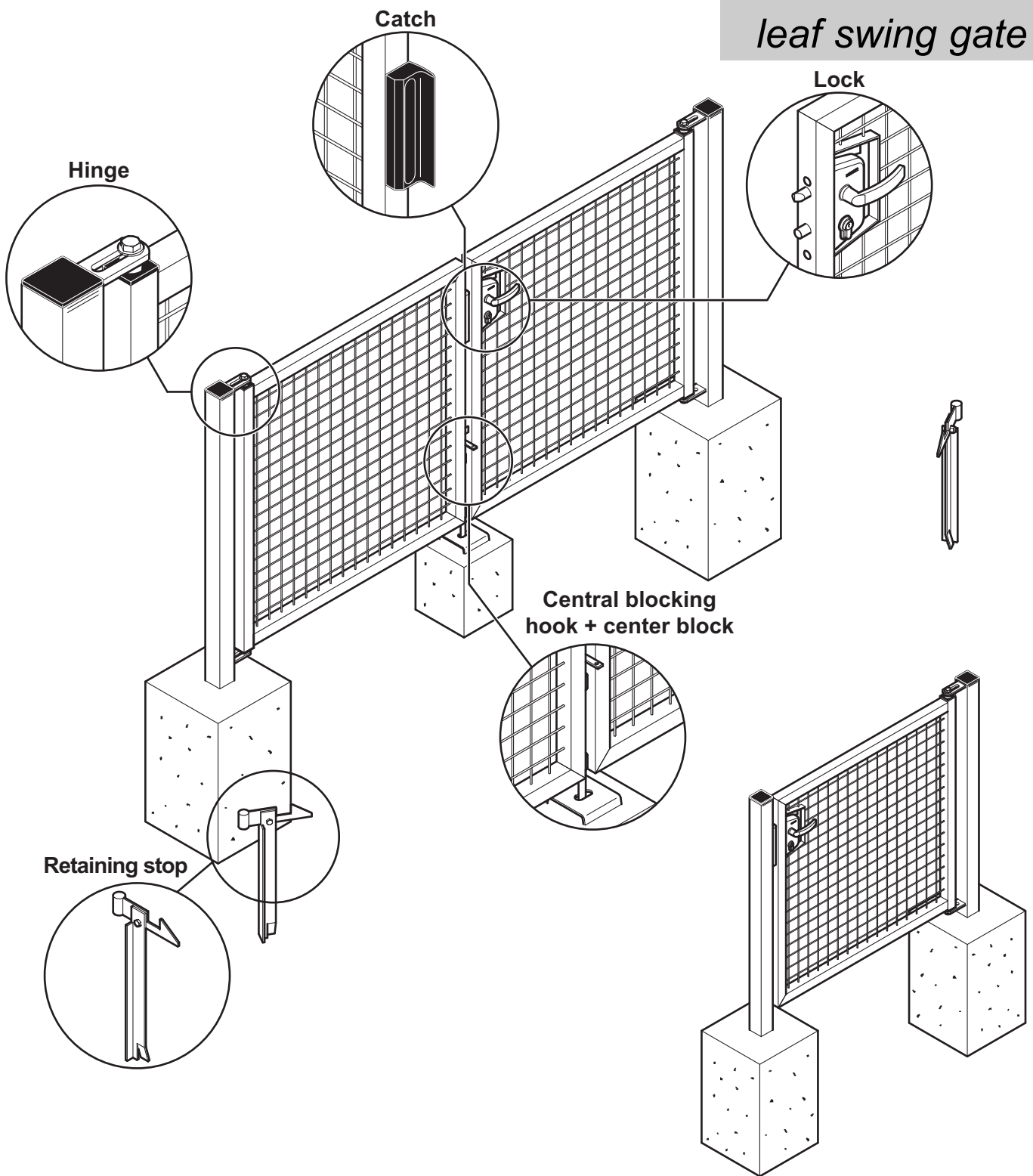
THE INSTALLER IS OBLIGED TO HAND IN TO USER THE
USAGE, MAINTENANCE AND SERVICE INSTRUCTIONS.

S u m m a r y

	Pages
1 - Description of the gate	4
2 - Reception, handling and storage	5
2-1 Packing list	5
2-2 Handling and storage	6
3 - Installation	7
3-1 Opening direction	7
3-2 Assembling the components	7 to 8
3-3 Sealing the posts	9
3-4 Settings	10
3-5 Embedding the accessories	11
4 - Reception of work	12
4-1 Control for reception of work	12
4-2 Waste disposal	12
4-3 Complaint	12
5 - Residual risks	13

1 Description of the gate

ESPACE Double-leaf swing gate

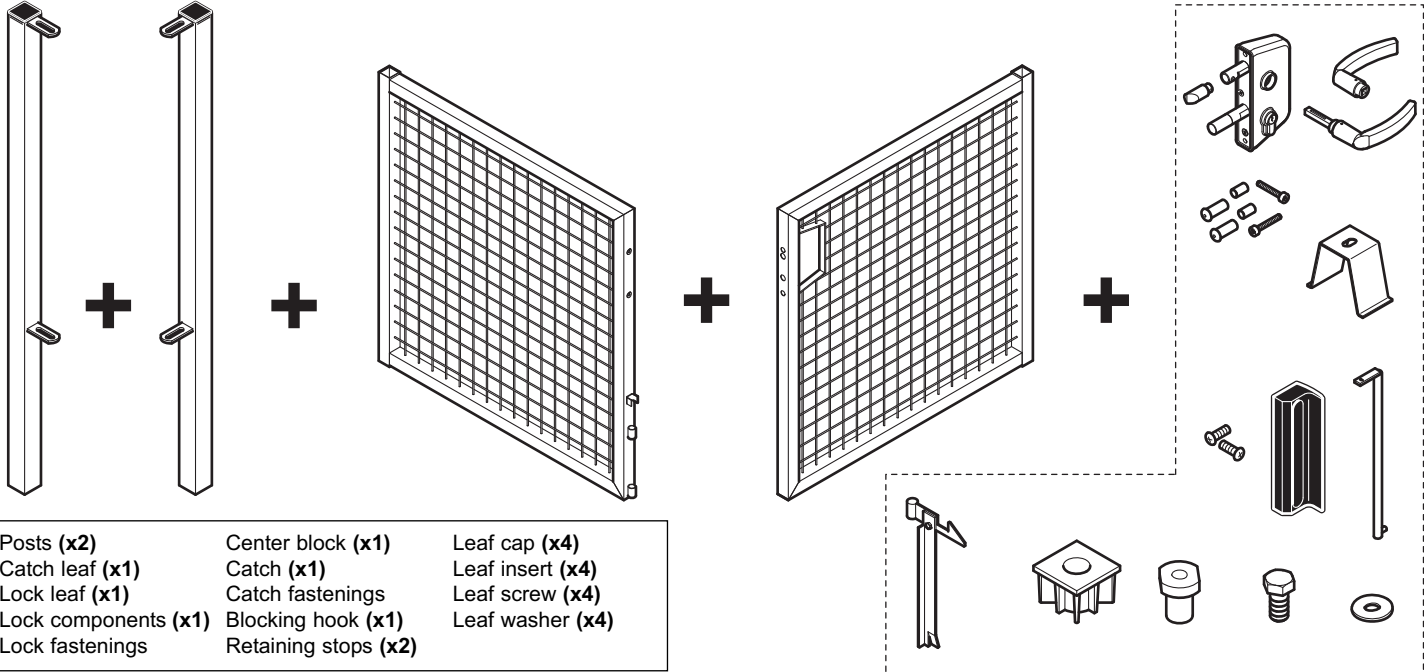


ESPACE Single-leaf swing gate

2 Reception, handling and storage

2-1 Packing list

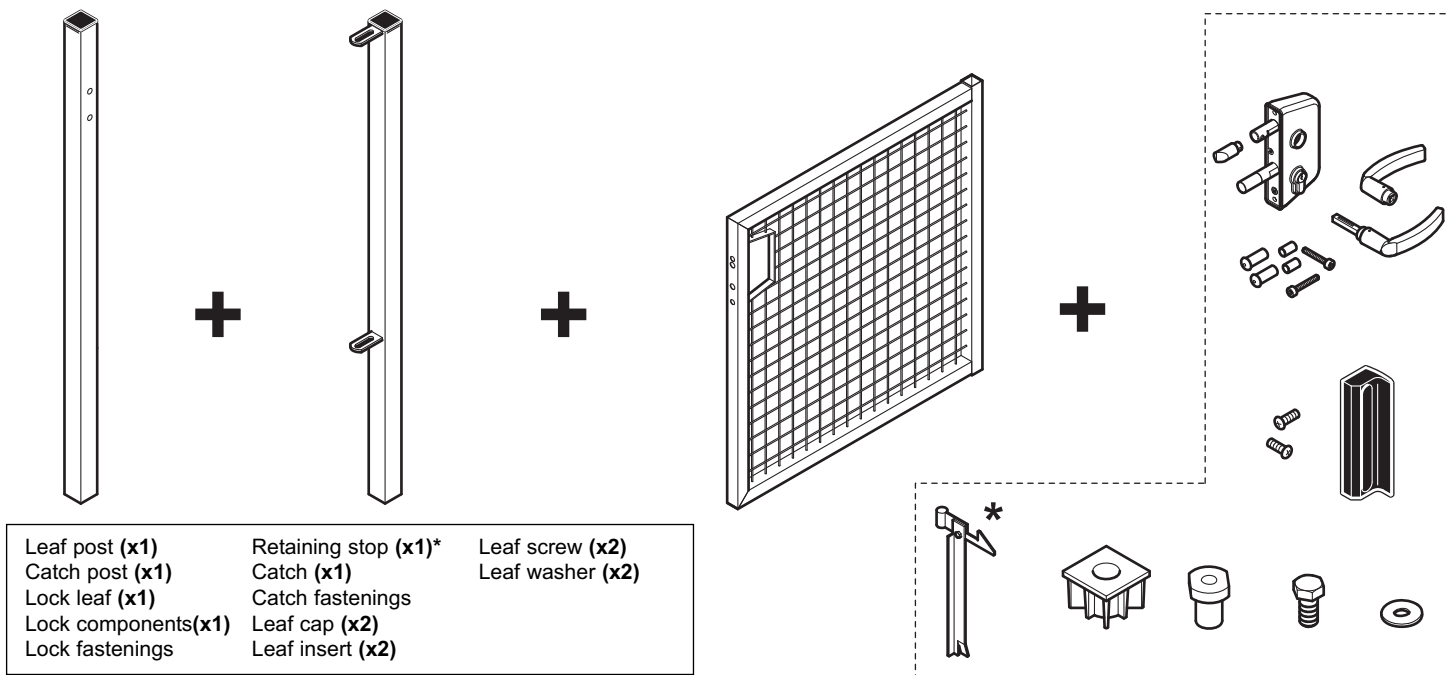
ESPACE Double-leaf swing gate :



You have ordered an ESPACE double-leaf swing gate. It is made of two leaves and two posts designed to be fixed in concrete footings.

Please check the material right after reception. If you notice anomalies (missing component...) contact DIRICKX at the address stated at the end of this notice.

ESPACE Single-leaf swing gate:



* The gate stop of ESPACE single-leaf swing gate is delivered only from a 1.50m passageway up.

2 - Reception, handling and storage

2-2 Handling and storage

In order to handle the material in the best security and installation conditions, the use of lifting machine is compulsory. The choice of this machine will be determined by the volume and weight of the components.



The components are heavy and voluminous so that every handling requires the employment of security equipment (helmet, gloves, goggles...).



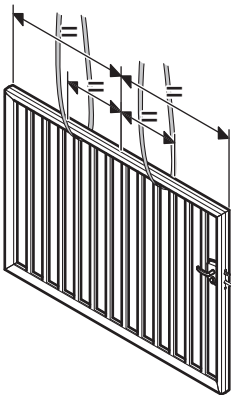
The specifications (length, height, weight) are notified in the order confirmation and in **the civil engineering and installation plan**. (cf. *weights table*).

To avoid any damage it is recommended to protect each element from the beginning of the handling operation.

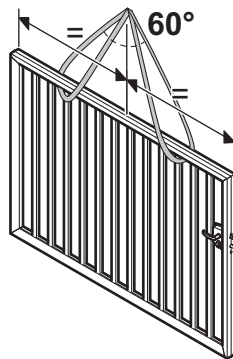
During the use of the lifting machine the following suspension is recommended:

During unloading the suspension must be done in 2 points at the same distance of the middle of the gate. (cf. **fig. 1**).

During handling of the gate the suspension must be done in 2 points, with an angle of maximum 60 degrees. (cf. **fig. 2**).



1 - Unloading



2 - Handling

Store the material in a public inaccessible place. Place the leaves in a plane position and protect the elements at the supporting points with polyester or equivalent props.



BAD STORAGE CONDITION MAY HARM THE SECURITY OF THE NEIGHBOURING PERSONS AND CAUSE FUNCTIONAL AND AESTHETIC DAMAGE.

TYPE	MAXIMUM WEIGHT	
	<i>Per leaf</i>	<i>Per post</i>
ESPACE Double-leaf	45 Kg	20 Kg

Reference: passageway 4m, height 2m, railing filling

3 Installation

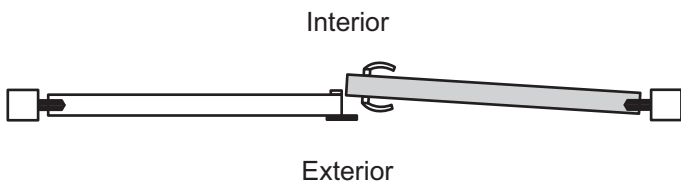
3-1 Opening direction

ESPACE swing gate is available in four opening versions. The choice of the opening direction is made during the installation.

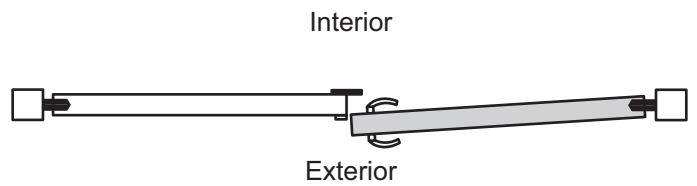


ALWAYS PLACE YOURSELF IN THE EXTERIOR OF THE SITE TO INDICATE THE OPENING DIRECTION.

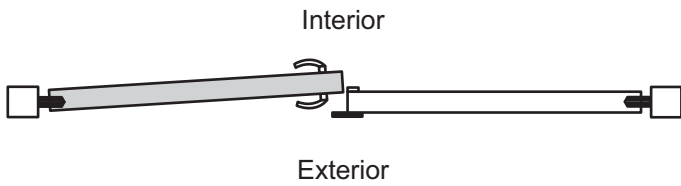
The installation procedure is the same for each version.



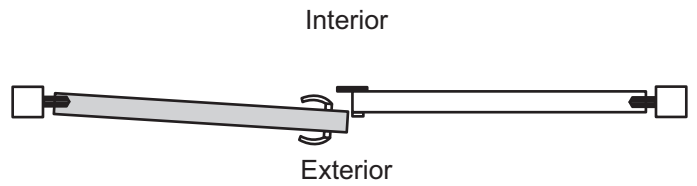
RIGHT-HAND PUSH



RIGHT-HAND PULL



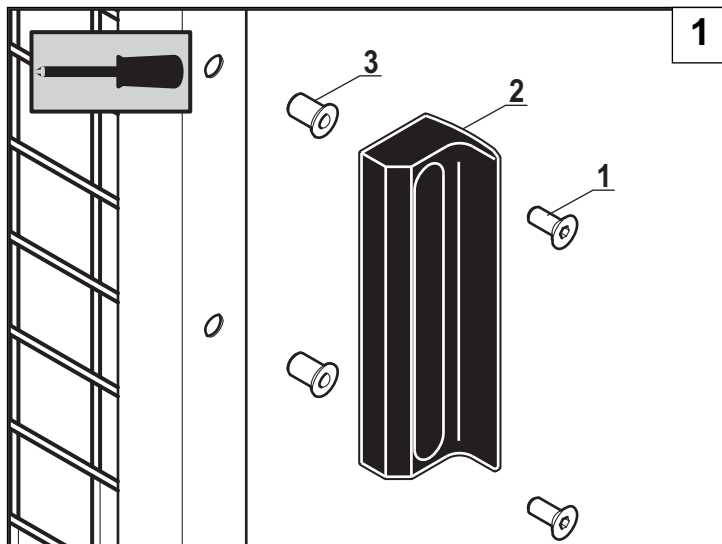
LEFT-HAND PUSH



LEFT-HAND PULL

Check out if opening direction corresponds to the ordered one before the installation.

3-2 Assembling the components

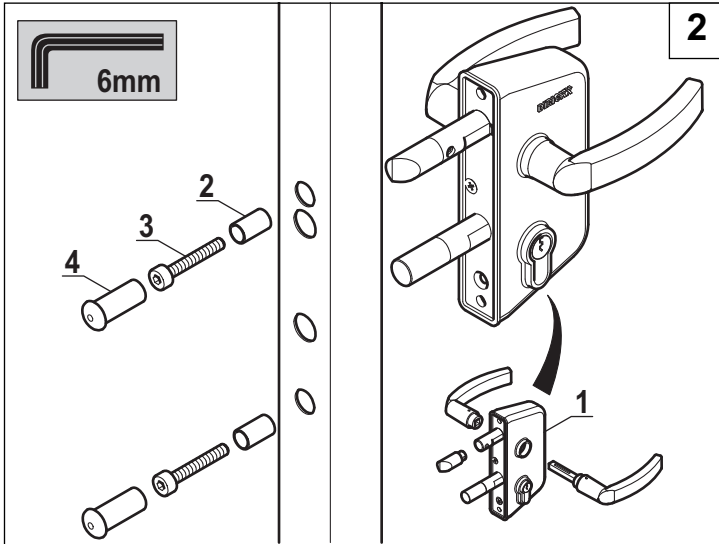


1 Placement of the catch:

Place the catch (2) according to the direction of opening (cf. above).

Check the inserts (3) and screw-down the catch (1).

3 - Installation

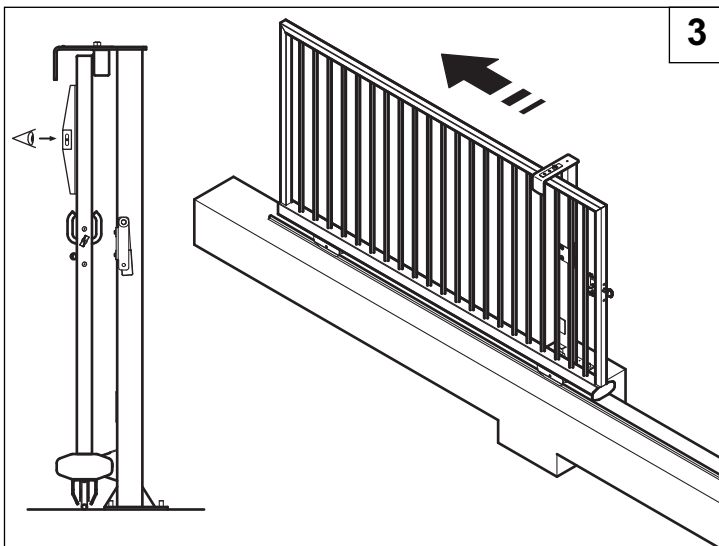


2 Placement of the lock:

Assemble the lock, the handle and the bolt (1).

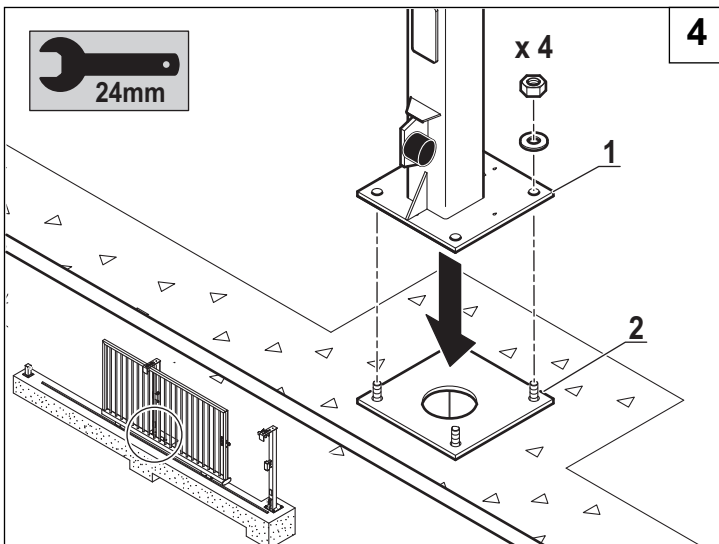
Assemble the lock on the lock leaf. Insert the cross arms (2) and the screws (3) and tighten.

Place the shields (4).



3 Preparation of the leaf:

Place the caps and the inserts (2 and 1) in the upper and the bottom part on the each leaf (3).



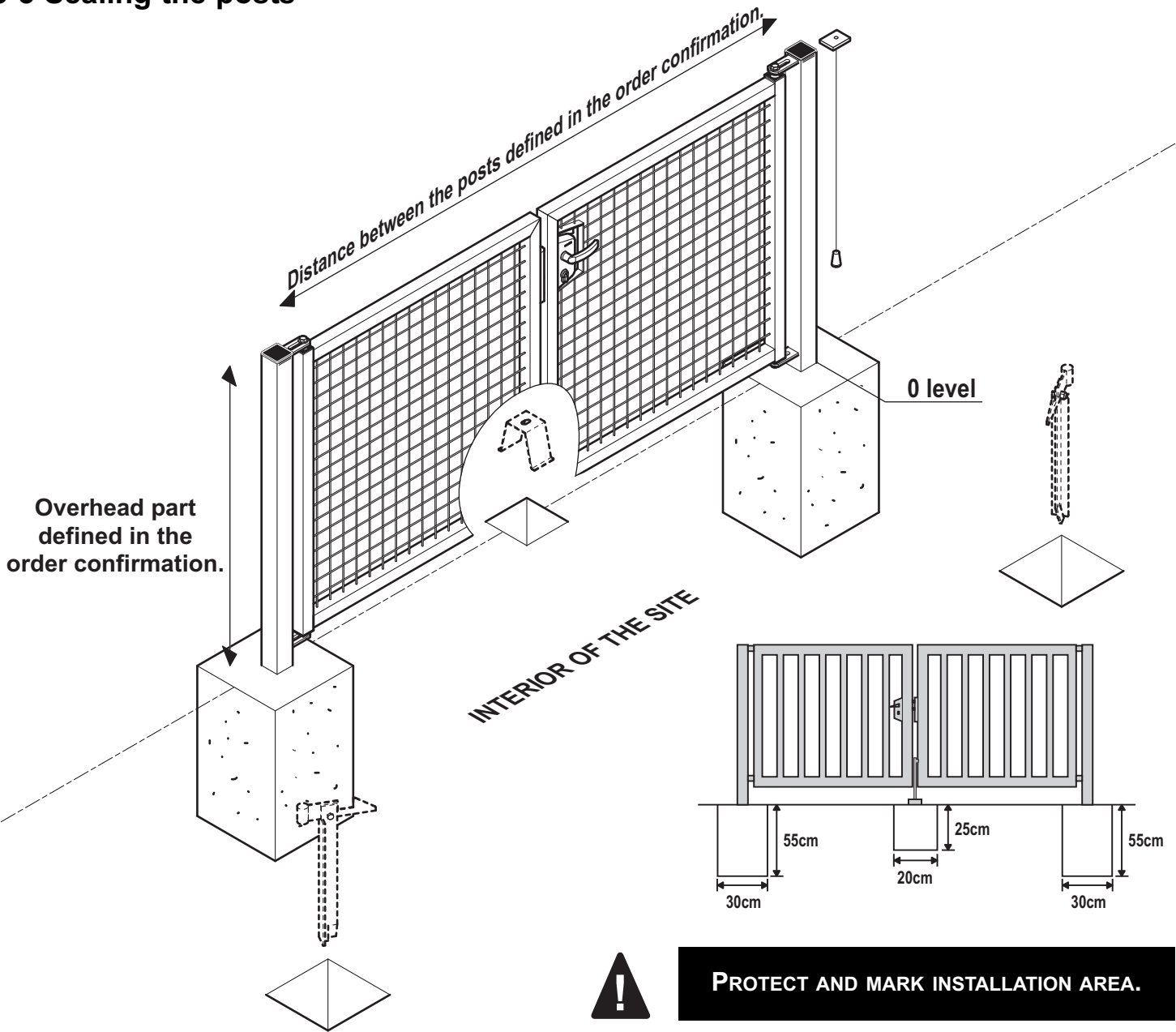
4 Placement of the leaf:

Insert the leaf on the post and then place the screw and the washer (1 and 2) on the each hinge.

Tighten.

3 - Installation

3-3 Sealing the posts

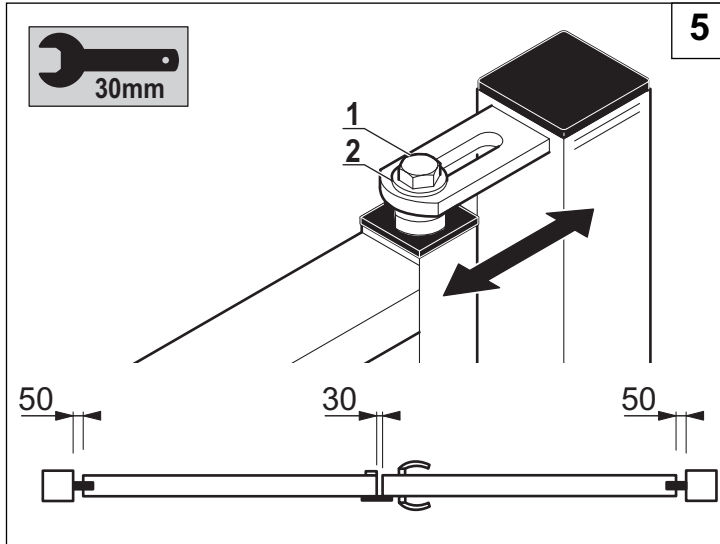


- Dig the foundations.
- Pour in some concrete at the bottom of the foundations.
- Place and support the posts respecting the gap between them (cf. **figure above**).
- Fill in the foundations with concrete.
- Control the verticality and the alignment of the posts.
- Ram down and level the concrete.
- Support the posts during the time necessary for hardening.
- Respect the time of hardening according to the type of concrete.



3 - Installation

3-4 Settings

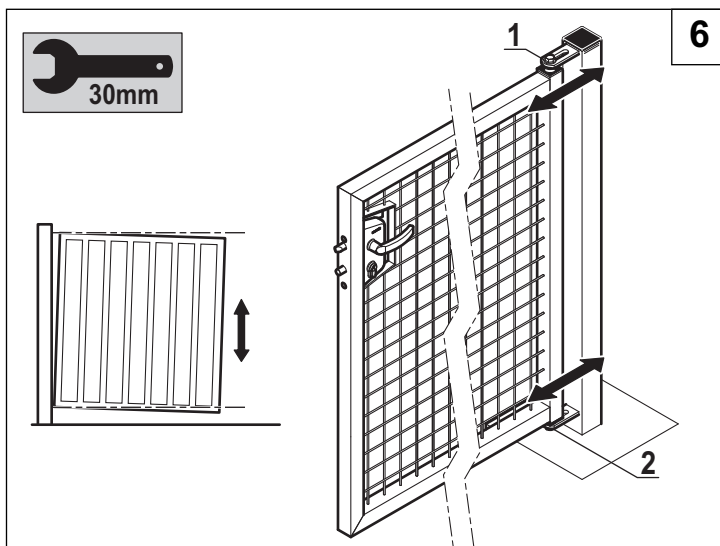


Setting the distance catch/lock:

The theoretical value between the stand hinges and the post hinges is 50mm, between the stand catch and the stand lock is 30mm.

If the lock is too far from the catch, release the nut and the washer (1 and 2) shift back the leaf to the desired distance, then tighten the nut. This operation has to be performed at the upper and at the bottom part on the each leaf.

Note: For the ESPACE single-leaf swing gate, the theoretical values post/leaf and lock/catch are identical with the ones for the ESPACE double-leaf swing gate.



Setting the straightness of the leaves:

If the lock side of the leaf is higher than the hinge side, loosen the upper part (1) align the leaf horizontally and then tighten.

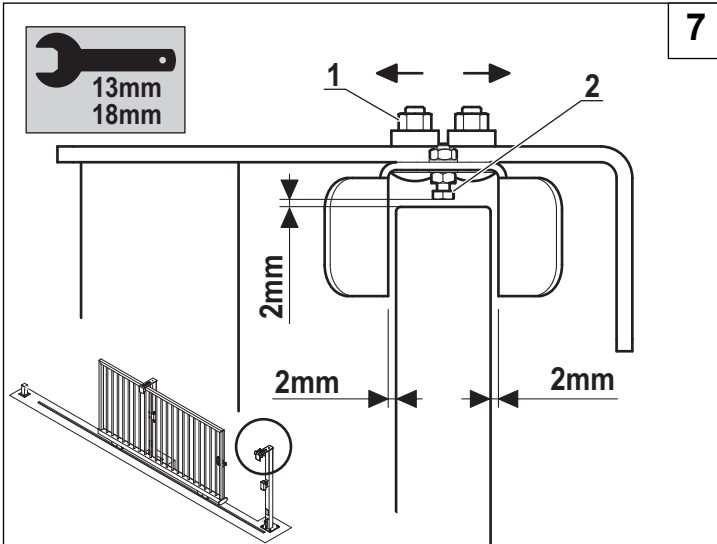
If the hinge side is higher than the lock side, loosen the lower part (2), align the leaf horizontally and then tighten.



**BLOCKING RISK ON THE HINGE LEVEL
(CF. PAGE 13).**

3 - Installation

3-5 Embedding the accessories



Embedding the center block for the ESPACE double-leaf gate:

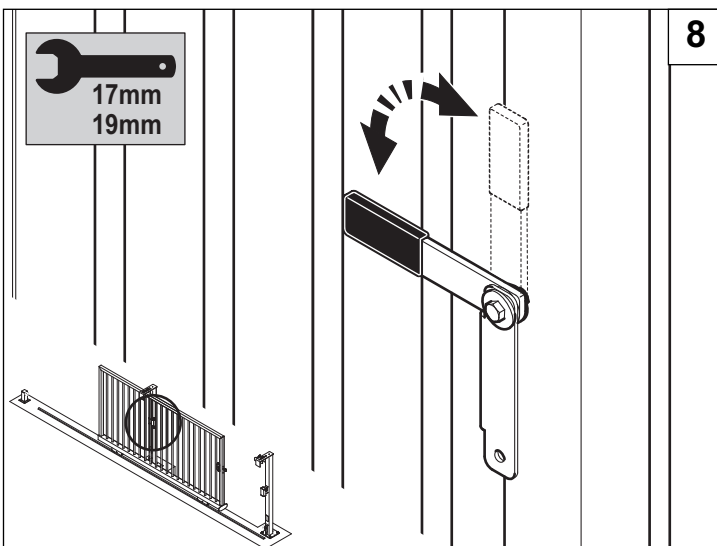
When the gate is closed, dig a hole to place the central blocking hook and pour in the concrete.

Fix the centre block and get down the central blocking hook oblong right in the middle of the hole.

Hollow out under the center block in order not to block the central blocking hook.



BLOCK AND MARK THE PASSAGE DURING THE WHOLE INSTALLATION PERIOD.



Embedding the stopping blocks:

Dig the foundation according to the civil engineering and installation plan. Pour the concrete and then fix the stopping blocks.

Open the leaf to check the good positioning of the stopping blocks.

Note: The ESPACE single-leaf swing gate is equipped with a stopping block only from 1.50m passageway up.



DO NOT USE THE STOPPING BLOCK DURING A DRY OUT PERIOD.



4

Reception of work

4-1 Control for reception of work

When the material is installed please test the fix and mobile elements to verify the good functioning of the gate before delivering it to the user.

Make sure that:

- the gate swings without excessive effort and without friction.
- the lock is functioning and keeps the leaf closed (make a turn over with a key).
- the centre blocks keep the leaves blocked when they are closed.
- there are no blocking zones, especially on the hinges level.
- if the distance between the post and the stand hinges is less than 25mm attach a pictogram to point out the blocking zone (cf. page 11).

4-2 Waste disposal

Once the installation is done and the controls are completed, remove all the covers and residues of installation.

Throw the waste into appropriated places (junkyard...)



LEAVE THE SITE CLEAN.

4-3 Complaint

Please check the material right after reception. If you notice anomalies (missing component...) contact DIRICKX at the address stated at the end of this notice. According to our standard condition of sale, the complaints concerning the quantity, the weight and the dimensions, and the quality related to chemical and physical characteristics are accepted only if they are notified in writing **up to 15 days after the delivery of the goods and before any transformation.**



5

Residual risks

Certain parts of the gate cannot be protected and represent therefore risk zones.

Residual risks are indicated on the gate by stickers designated to inform the user on the type of risk he is exposed to when entering into contact with certain parts of the gate.

For your security, follow the recommendations concerning your gate.

Signification of warning signs for residual risks



Indicates a residual risk of getting your hands pinched or squeezed between the fixed part of the installation and the mobile element.



Indicates a residual risk of getting your feet pinched or squeezed between the fixed part of the installation and the mobile element.



Indicates a residual risk of stumbling.



Indicates a residual risk of interception by the moving pieces.



Indicates a residual risk of electric shock.

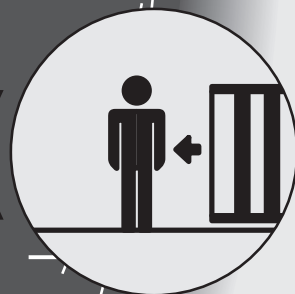
Swing Gates



Installation

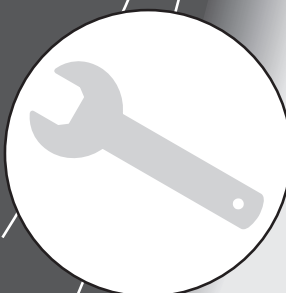


Use



INSTRUCTIONS

Maintenance



Care



DIRICKX

HAUTE CLOTURE FRANÇAISE



Swing gates

EN 01 - 05 2005 Edition

USE

INTRODUCTION

All the information contained in this specification sheet including pictures and figures is the property of DIRICKX. Total or partial reproduction without permission of DIRICKX is illicit.

DIRICKX might modify components of the material at anytime and without prior notice. The content of the sheets can also be subject to modifications.

All the sheets, including this one, are adapted exclusively to the material they are delivered with.

REGULATION

This manual was edited in respect with the recommendation of the European Standard **NF EN 12635** concerning the gates that equip the industrial and business buildings and garages in accordance with European Standard **EN 292-2** that specifies that is essential to provide the installer and the user with the complete documentation attached to the material.

COMPLETE AND SAFE FUNCTIONING IS ENSURED ONLY IF A SKILLED INSTALLER EXECUTES THE INSTALLATION AND MAINTENANCE IN RESPECT WITH THE INSTRUCTIONS AND THE VALID REGULATIONS.

PICTOGRAMS AND SIGNIFICANCES

This specification sheet contains pictograms warning the installer and the user about the points to be considered to ensure the correct installation, use, service and maintenance operations.

It is important to follow the information accompanying the pictograms to ensure the security of installer and user but also the good functioning of the material.



DANGER PANEL FOLLOWED BY THIS FRAME INDICATES VERY IMPORTANT INFORMATION TO TAKE INTO CONSIDERATION.



Refer to the concerned documentation.



Risk of injury, heavy material.



Blocking/locking action.



Unblocking/unlocking action.



Don't leave the gate unblocked when it is opened or closed.



Accompany movement.



Required skills:
Qualified person according to the Standard EN 12635.



Required skills:
Professional installer according to the Standard EN 12635.



WARNING



NF EN 13241-1 Standard
 THE INSTALLER IS OBLIGED TO HAND IN TO USER THE USAGE,
 MAINTENANCE AND SERVICE INSTRUCTIONS.

S u m m a r y

	Pages
1 - Description	4-5
2 - Use	6
2-1 Opening and closure	6
2-2 Closure securing	6
2-3 Opening securing	7
2-4 Caution in handling	7
3 - Residual risks	8
4 - Use restrictions	9

THIS INSTRUCTIONS MANUAL IS ADAPTED
 FOR **ESPACE, ALLIANCE** AND
OPPIDUM SWING GATES.

1 Description



DIRICKX – OPPIDUM® swing gate

1 - Description

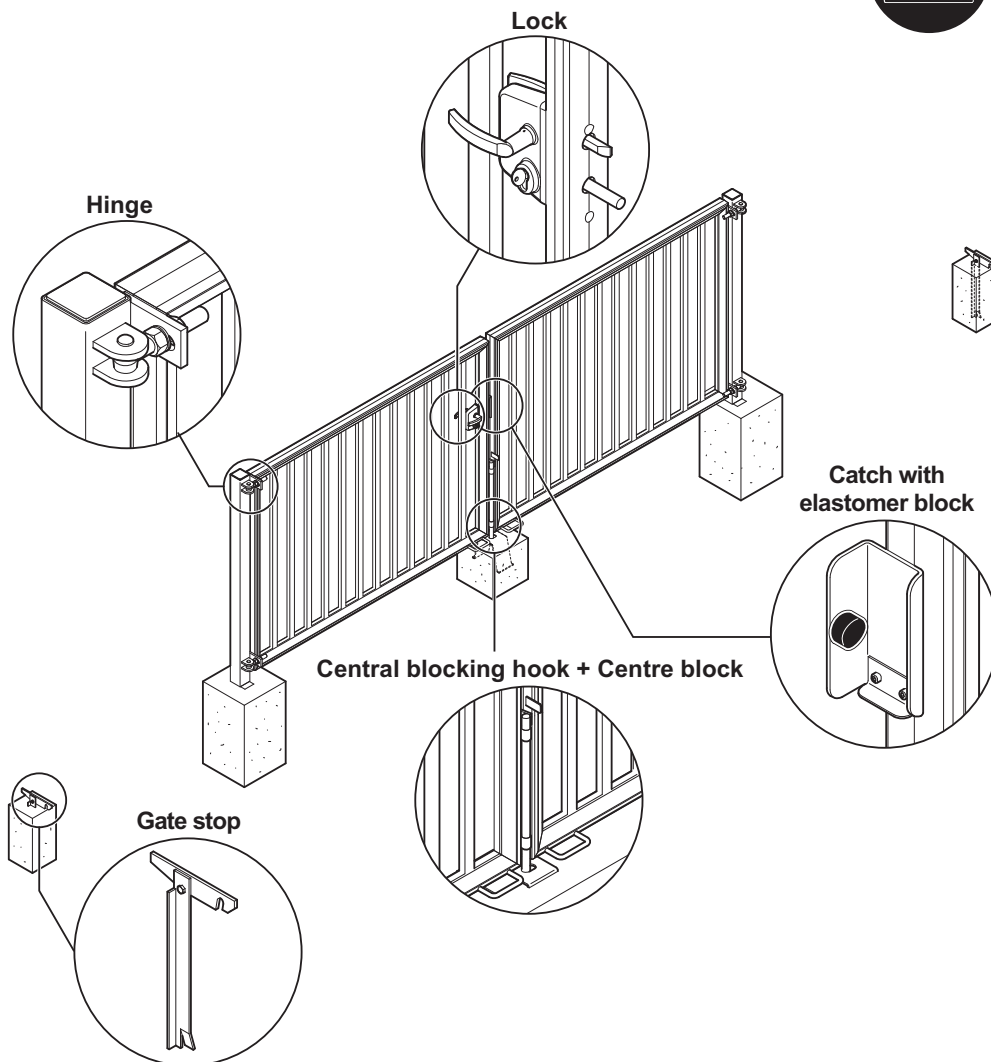
You have ordered a DIRICKX swing gate, we thank you for your confidence.

You will find in this manual all the necessary information for the use of your new equipment.

Following the recommendations of this manual you will ensure the user's security and the durability of your gate.



**TAKE YOUR TIME TO READ THIS MANUAL.
IT WILL ENABLE YOU TO USE YOUR
MATERIAL OPTIMALLY.**



Security:

The persons who might use your gate are under your responsibility. By respecting the recommendations of use you contribute to the user's security and of the persons situated in its proximity.

Elements of the gate:

Your swing gate is composed of fix and mobile elements. You will find their function in these usage instructions.

2 Use

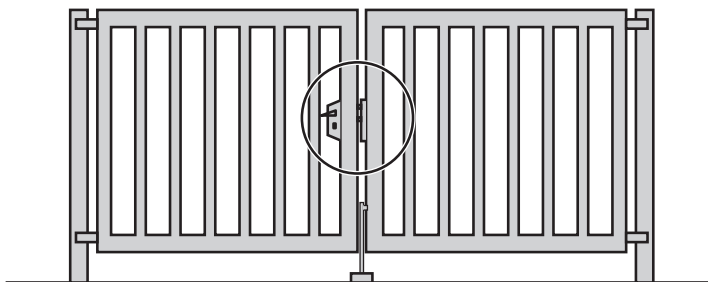
2-1 Opening and closure

Your gate is equipped with elements that ensure the locking when it is opened or closed.

When you close the gate, make sure that no obstacle hampers the movement of the leaf.

At each opening or closure of the gate you have to make sure that the movement of the leaves will not cause any danger for the persons situated nearby.

Accompany the movement of the leaf and **do not let it** until it reaches the closing position.



2-2 Closure securing

The gate is equipped with two locking systems to maintain the leaves closed:

- the lock
- the central blocking hook

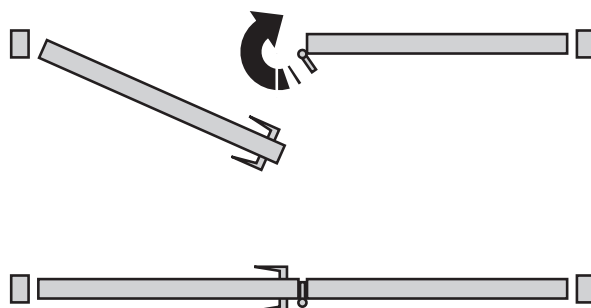
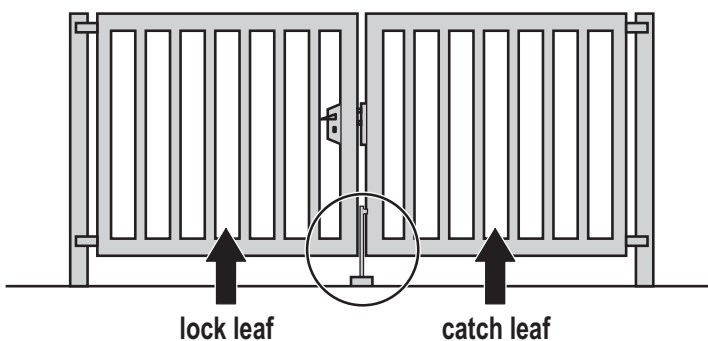
Note: *the central blocking hook is available only for the double-leaf gates.*

The locking procedure is the following:

- close the catch leaf.
- drop the central blocking hook into the centre block and rotate it as far as it presses on the stand situated between the lock leaf and the catch leaf.
- make sure that the central blocking hook is well connected to the centre block with a pin and it cannot rise again.
- close the lock leaf and lock the gate with a key.

Now your gate is completely secured.

Note: *the gate can be used for pedestrian passage if you block the catch leaf and leave the lock leaf opened.*



2 - Use

2-3 Opening securing

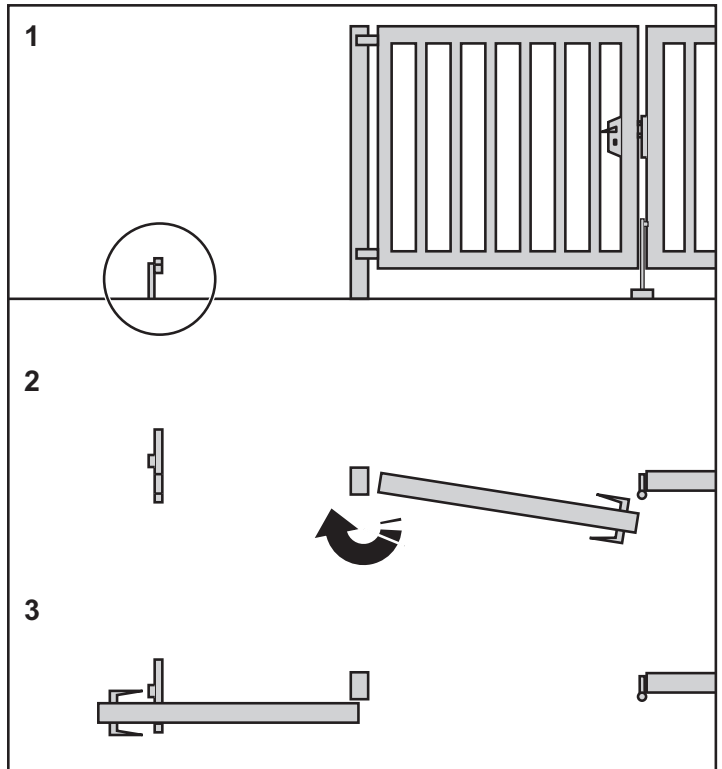
The stopping blocks situated at the edges of the gate keep the gate in open position.

According to the type of your gate, the principle of fixing the gate on the retaining stop and releasing the gate from the retaining stop is almost the same.

Note: for the single-leaf gates, the stopping blocks are delivered from a 1,50m passageway up.

To block the gate in the open position:

- open your leaf as far as the stopping block.
- push the leaf, without dropping, on the way to interlock with the retaining stop.
- check if the leaf is well attached by the retaining stop.



To unblock the leaf:

Pressing the stopping block with your foot unblocks the leaf. Release the leaf and drop the retaining stop, it will move back to the initial position.

Control the holding of the gate under any circumstances.

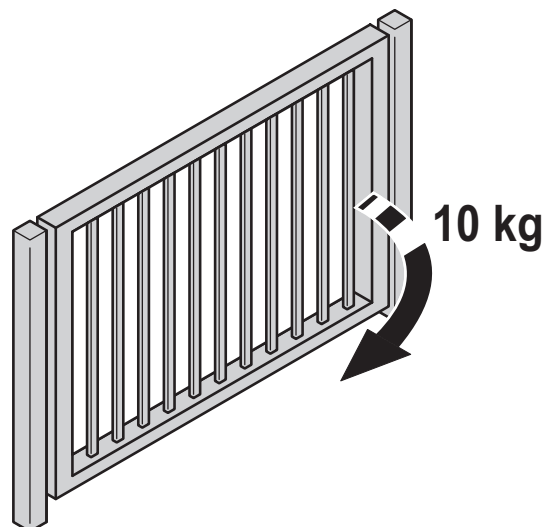


2-4 Caution in handling

If it is not handled with caution your gate could be dangerous. In absence of wind, it is assumed that the effort to be made to start moving the leaf is equal to 10 kg maximum.

Yet, the mobile parts of the gate are heavy:

- **Always go along with the leaf when opening or closing it.**
- **Handle with caution in windy weather.**



3

Residual risks

Certain parts of the gate cannot be protected and represent therefore risk zones.

Residuary risks are indicated on the gate by stickers designed to inform the user on the type of the risk he is exposed to when entering into contact with certain parts of the gate.

For your security, follow the recommendations concerning your gate.

Signification of warning signs for residual risks



Indicates a “residual” risk of getting your hands pinched or squeezed between the fixed part of the installation and the mobile element.



Indicates a “residual” risk of getting your feet pinched or squeezed between the fixed part of the installation and the mobile element.



Indicates a “residual” risk of stumbling.



Indicates a “residual” risk of interception by the moving pieces.



Indicates a “residual” risk of electric shock.

4

Use restrictions

Non-controlled actions on the leaf must not bring about its movement (wind, animal...). Always remember that an unblocked leaf can become dangerous for the user or the persons in the nearby area.

Always keep the leaves blocked and closed or blocked in opening.

Always close the catch leaf first and block it using the central blocking hook.



**CONTROL THE HOLDING OF THE LEAF
UNDER ANY CIRCUMSTANCES.**



Due to its weight, the gate can cause accidents (kids in the passageway...) or damage some objects (vehicles...) when it is closed violently and without control.



**DO NOT RELEASE THE LEAF
DURING OPENING OR CLOSING.**



The leaves are adjusted to swing easily. By burdening the leaf or by handling it violently, you risk damaging the gate.



**DON'T PUT ANYTHING ON THE GATE.
DON'T CLIMB THE LEAF.**

